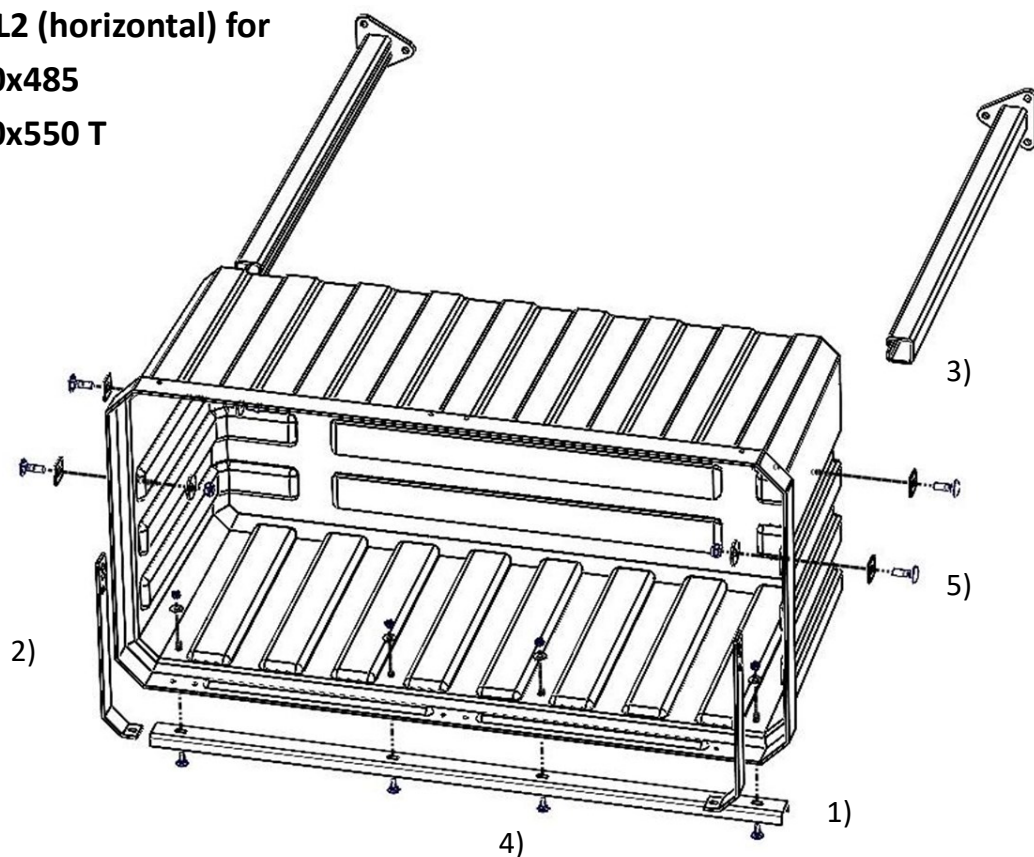


INSTALLATION INSTRUCTIONS

102867 Installation kit SL2 (horizontal) for
 100455 Toolbox 840x480x485
 100456 Toolbox 840x480x550 T



| Pos. | Qty | Part | |
|------|-----|-------------------------|--------------------------|
| 1 | 1 x | U-profile 759mm | |
| 2 | 2 x | L-bracket 275mm | |
| 3 | 2 x | Stay C-profile 700mm Zn | |
| 4 | 4 x | | Square Neck Bolt M6x20 |
| 4 | 4 x | | Nut Nyloc M6 |
| 4 | 4 x | | Washer M6x18 |
| 5 | 4 x | | Square Neck Bolt M10x30 |
| 5 | 4 x | | Nut Nyloc M10 |
| 5 | 4 x | | Washer M10x40 |
| 5 | 4 x | | Washer 30x30 rectangular |

